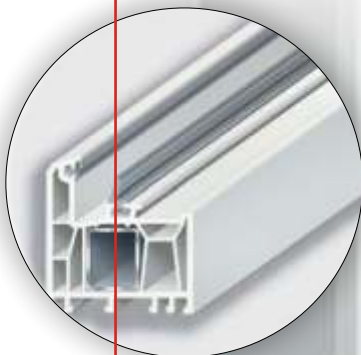


10 Advantages of SIMER windows with the centre seal

1 WATER TIGHTNESS CRITERION

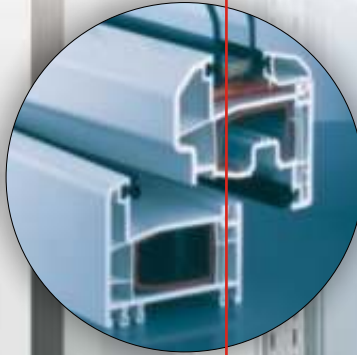
SIMER windows show significantly increased water tightness compared to windows without the centre seal. The figures clearly demonstrate the point in the profile to which water leakage can reach - the so-called wet zone. In SIMER windows, the wet zone reaches only to the centre seal, while in other profiles, this zone can extend over the entire width of the profile - possibility of water leaking into the room.

OKNA SIMER



Mokra cona | Suha cona

OKNA brez sredinskega tesnila



Mokra cona | Suha cona

2 K-FACTOR OF THE WINDOW

A 5-chamber SIMER profile system with the centre seal has the K-factor of thermal transmittance amounting to 1.3 W/m²K, while the 4-chamber system without the centre seal has a K-factor of only 1.4 W/m²K.

3 PROFILE THICKNESS

The walls of TROCAL profiles are produced in accordance with the RAL regulations and are substantially thicker than in competitive products - cf. figures above. The profiles have a unique X-construction of the profile chambers, which gives the profiles extreme static strength. Therefore, a minimal thickness of galvanised steel reinforcement elements is required, resulting in a better K-factor of the profiles.

4 SOUND INSULATION CAPACITY

The option of installing the third (external) seal gives the SIMER windows an excellent sound insulation capacity - an advantage compared to windows with only two seals.

5 INSTALLATION METHOD

In SIMER windows, assembly screws are installed in the so-called dry zone, which entirely prevents water or humidity from penetrating into the most sensitive part of the frame. However, this cannot be guaranteed in windows without the centre seal. A demonstration of screw installation in SIMER windows:



6 WATER VAPOUR CONDENSATION

The possibility of water vapour formation is minimal due to coextruded seals.

7 SEALS

SIMER windows have coextruded grey seals and black seals in the elements of various colours.

8 VENTILATION SYSTEM

According to new house building standards, it is necessary to provide continuous ventilation for certain rooms. SIMER windows can be equipped with the AirMatic ventilation system to provide sufficient and stimulus elimination of excess humidity from the rooms.

9 SOUND INSULATION CAPACITY WITH THE VENTILATION SYSTEM

Despite the AirMatic ventilation system, SIMER windows offer excellent sound insulation capacity - up to 38 dB.



10 ENVIRONMENTALLY FRIENDLY PROFILES

GREENLINE - Profiles do not contain lead stabilisers.